

SPREADER DISCS

Table 2 for Figure 2.1

Pos. in fig.	Name of part	Part no. or standard no.	Number of pcs.
1.	Left-hand disc	1.273-L	1
2.	Right shield	1.273-P	1
3.	Left shoulder	1.271-L	4
4.	Right shoulder	1.271-P	4
5.	Cap	1.628	2
6.	A2 stainless steel lock bolt M6X16	DIN 603	6
7.	A2 stainless steel lock bolt M8X16	DIN 603	8
8.	Stainless steel flat washer A2 M6	PN 82005	6
9.	Stainless steel spring washer A2 M6	PN 82008	6
10.	A2 stainless steel flat washer M8	PN 82005	8
11.	Stainless steel spring washer A2 M8	PN 82008	8
12.	Hexagon nut A2 stainless steel M6	PN 82144	6
13.	Hexagon nut A2 stainless steel M8	PN 82144	8

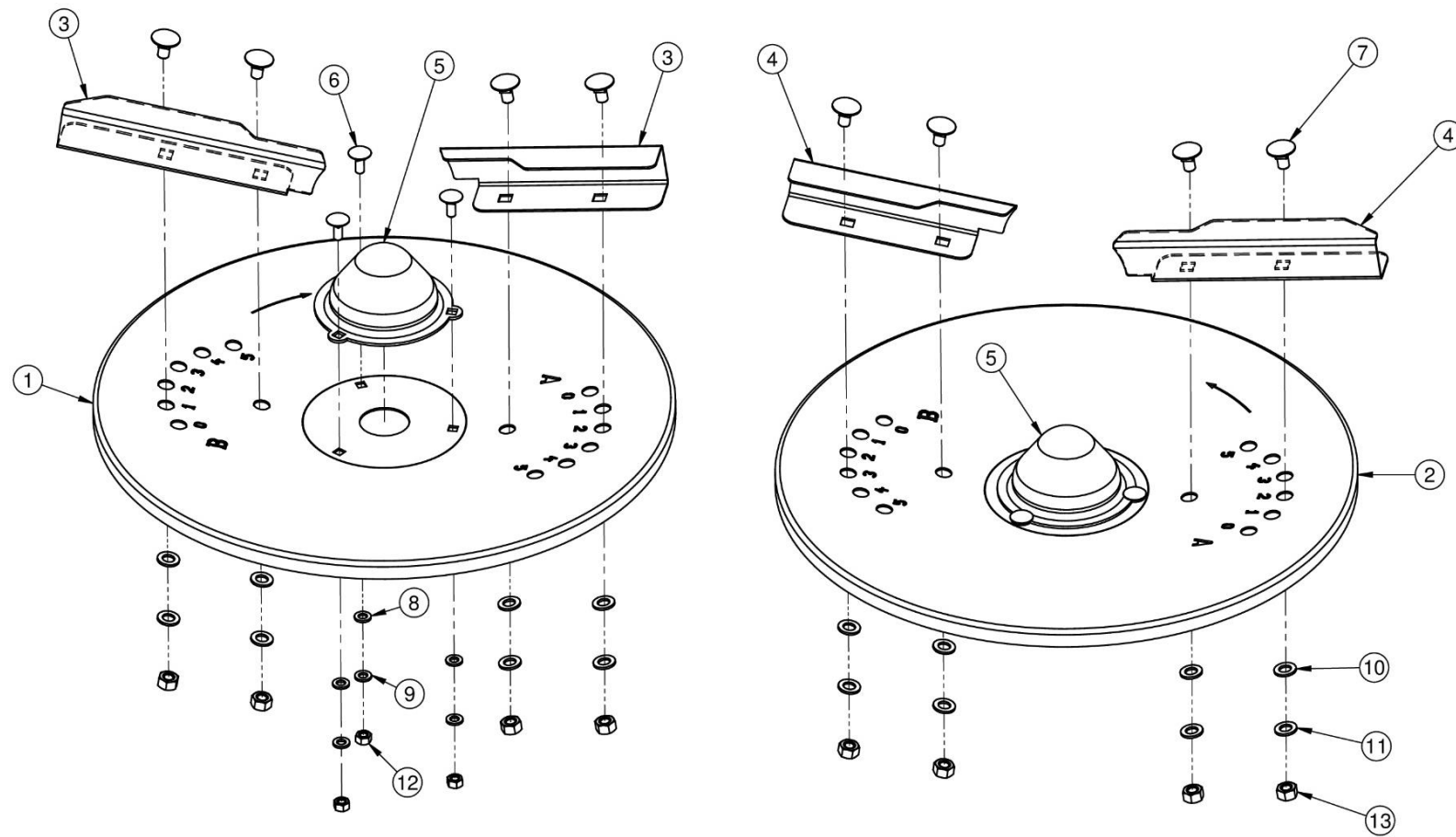


FIGURE 2.1 Spreader discs